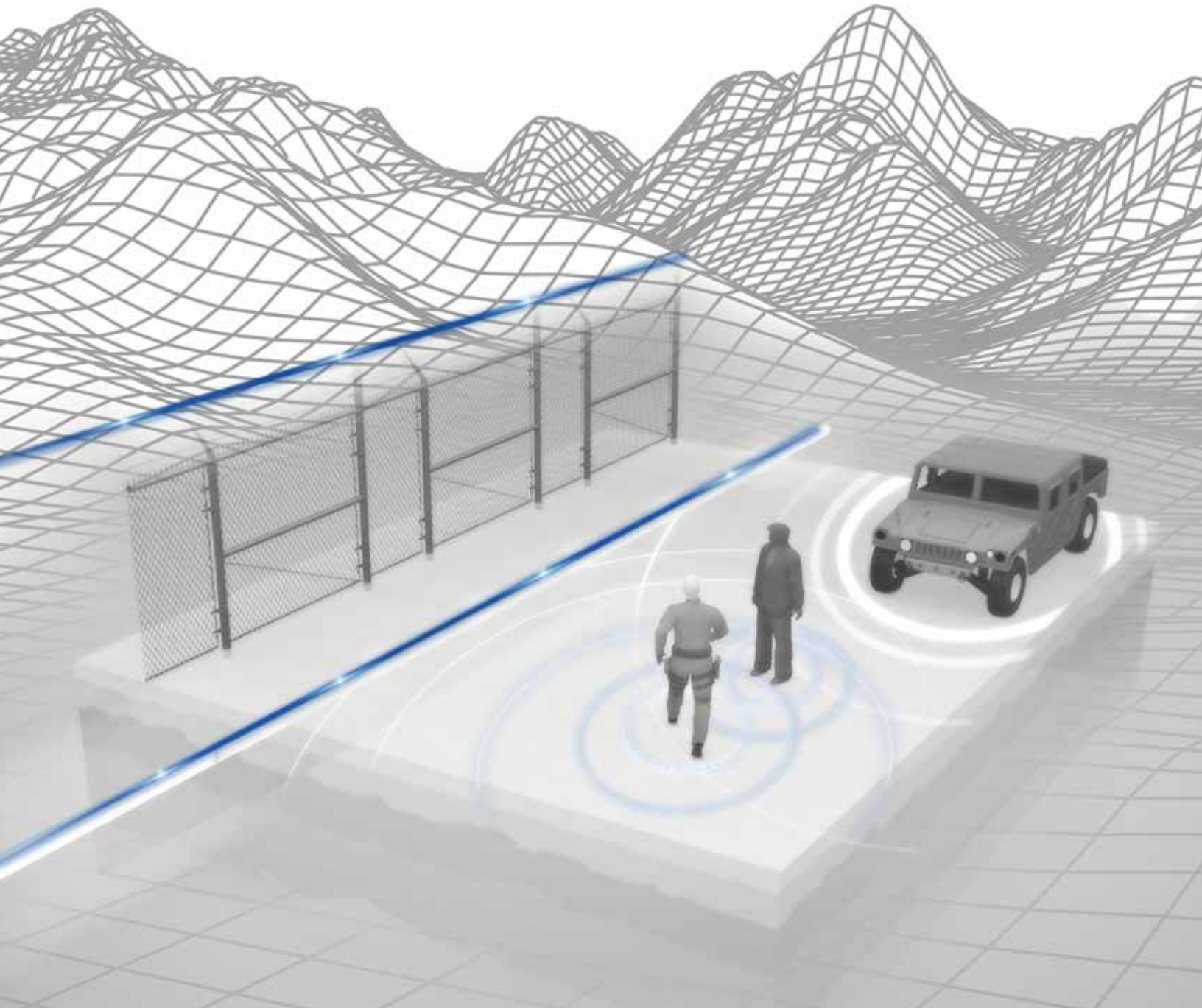


**OptaSense<sup>®</sup>**  
a QinetiQ company

# Border Security and Surveillance

Optimizing safety, efficiency and overhead



Protecting borders from illegal entry of people, weapons, drugs, and contraband is vital to a nation's security, as are boots on the ground.

## Strengthening security efforts

Safeguarding borders and military with a surveillance system that identifies threats quickly and effectively is your first line of defense.



However, technical limitations and environmental factors can impact the performance of many surveillance systems—leaving them vulnerable to infiltration.

Strengthen security efforts with OptaSense® Border Security and Surveillance, a fiber optic monitoring system that

- **Detects, tracks, and classifies a wide range of threats**
- **Delivers real-time, actionable intelligence**
- **Endures challenging environments and remote locations**

Using advanced Distributed Acoustic Sensing (DAS) technology, the OptaSense Border Security and Surveillance system provides agents and field patrols a complete picture of the location, scale and type of threat detected—enabling rapid, more informed decisions that result in fast and efficient response mechanisms.

# Get MORE from a single system



## Multi-threat detection

The OptaSense Border Security and Surveillance system converts a standard telecoms fiber optic cable into an array of distributed sensors capable of detecting changes in pressure, temperature, stress and acoustics. Advanced algorithms are used to classify and locate activities such as people, vehicle movement, low flying aircrafts, digging, gunfire and many other events.

Unlike conventional sensors, this DAS-based system significantly reduces nuisance alarms using reliable algorithms that decipher and classify the type of intrusion in real time. Users can be notified of alarms via text or email, and by leveraging GPS coordinates, the system can pinpoint the location of a security breach within seconds.

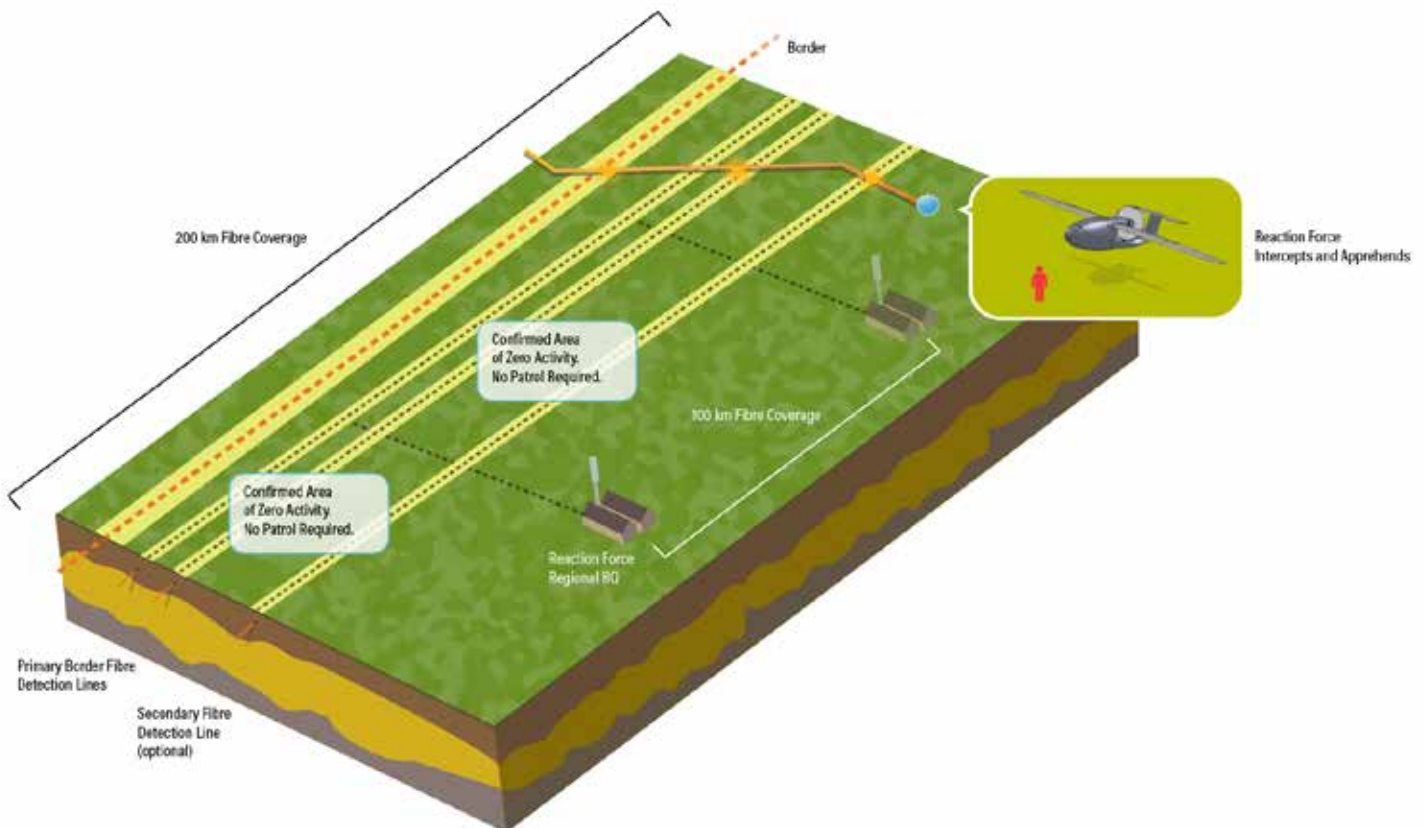
With this information, asset owners can increase the effectiveness of response mechanisms, such as patrols and helicopter reconnaissance, by ensuring manual inspection is focused on areas of real activity.

## HOW IT WORKS

The Border Security and Surveillance system utilizes one strand of a single mode standard telecommunications fiber, installed along the perimeter of an asset, to monitor and detect unwanted activity.

For measurement, the system utilizes a Coherent Optical Time Domain Reflectometer, or Interrogator Unit (IU), located alongside the processing unit. After injecting laser pulses down the length of the fiber, the IU reconstructs acoustic signals detected from the backscattered light along the cable. Signal processing software is used to analyze these signals in real time, with 10m location accuracy.

The systems user interface presents real-time data in a clear and intuitive manner, displaying classified alerts on a map with location coordinates. And, by networking IU's together the system allows an operator to monitor over 5,000km from one location.



# OptaSense Border Security and Surveillance can be customized to meet the demands of the perimeter it is protecting.

## Fit-for-purpose protection

The system offers three types of installation: fence, buried or hybrid. A hybrid installation provides additional design flexibility and added security on fence and buried systems, as well as some water applications. The system can also be run in stealth mode for high security areas.

For a more robust security management solution, OptaSense Border Security and Surveillance can be easily integrated with other systems and sensors, such as CCTV cameras and VMSS.

The system is software based, allowing easy alterations to perimeter adjustments and/or changes to the number of zones being monitored.

To facilitate dynamic thresholds, this system offers smart zones that provide the flexibility to customize alert settings for specific regional needs, such as terrains, roadways and rivers, at different times of the day. With this insight, you can distinguish normal pedestrians and roadway traffic from an unexpected vehicle unloading several people.

## Seamless, affordable installation

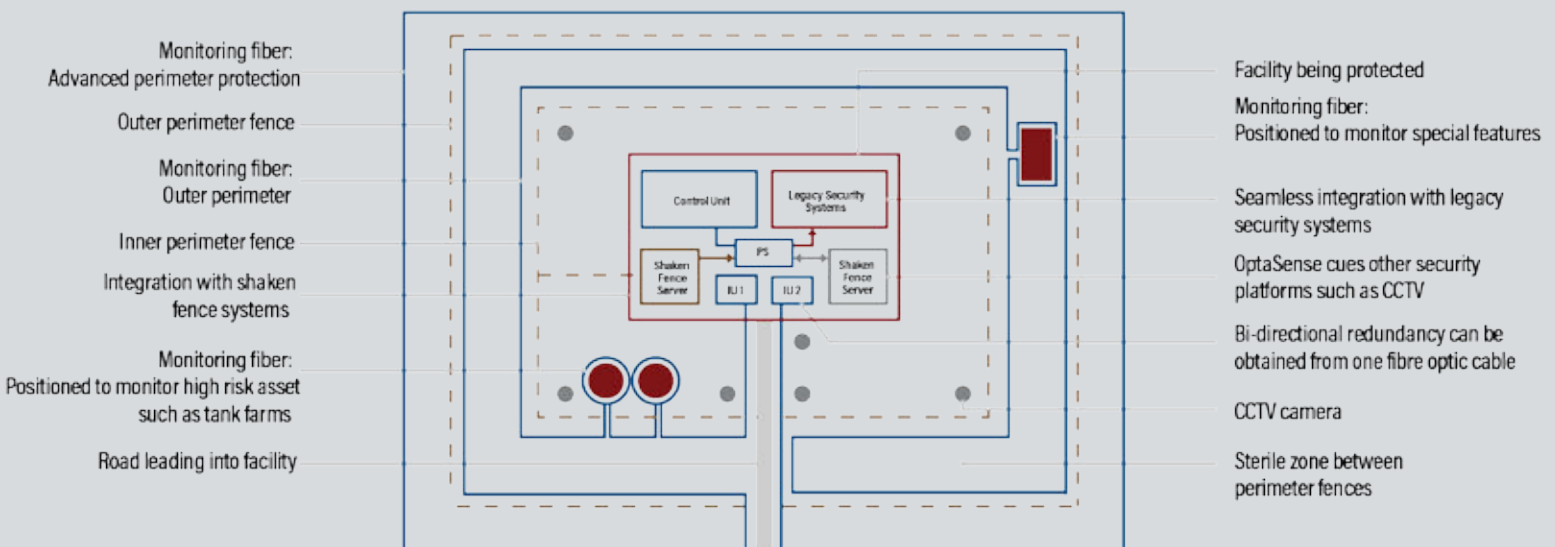
The OptaSense Border Security and Surveillance system is typically installed 80km-100km apart, providing a sensor every 10m that can detect activity up to 100km from a single location.

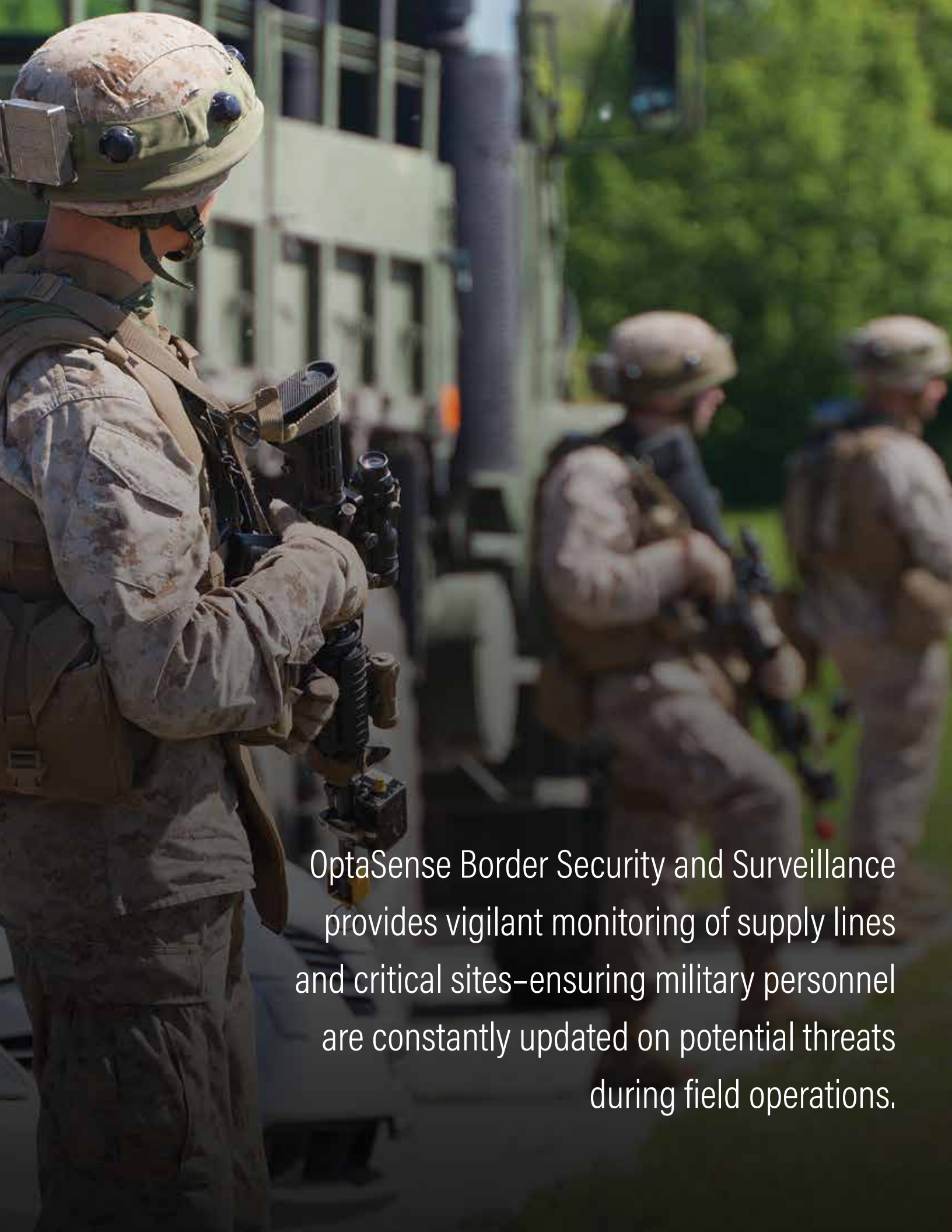
By leveraging an existing fiber optic cable, such as SCADA control lines for pipelines or telecoms networks used to connect CCTV cameras or border posts, this system provides reliable security at an affordable cost.

With OptaSense Border Security and Surveillance, all electronics are located in a controlled environment—protecting equipment from EMI, RFI, and other hazardous environmental conditions.

The system also eliminates the need for in-field hardware, power and maintenance, which reduces the overall cost of ownership compared to conventional sensors in remote environments.

## A layered security system





OptaSense Border Security and Surveillance provides vigilant monitoring of supply lines and critical sites—ensuring military personnel are constantly updated on potential threats during field operations.

# Protecting Boots on the Ground



Along any fiber optic cable, OptaSense Border Security and Surveillance acts as a single sensing system that provides valuable intelligence to protect your most valuable assets, your soldiers.

## **Supply Route Security**

OptaSense Border Security and Surveillance provides continuous remote monitoring of supply lines, enabling soldiers to mitigate threats and keep supplies flowing.

## **Base Protection**

Bases protect soldiers, but are under constant threat of attack. OptaSense Border Security and Surveillance provides reliable, real-time intelligence to secure a base perimeter.

At one extreme, it can detect and classify a single person attempting to infiltrate a perimeter. At the other extreme, it can detect and localize a blast, gunfire or a low-flying, radar-evading aircraft hidden by terrain.

## **Robust Performance**

Regardless of weather, terrain, foliage, and other environmental factors, the OptaSense Border Security and Surveillance system delivers steadfast performance and life-saving intelligence.

## **Reducing Unnecessary Risk**

Until now, there were few, if any, intelligence surveillance systems that could provide long duration, sustained, remote monitoring without requiring regular maintenance and/or resupply, which puts soldiers at risk of ambush.

The OptaSense Border Security and Surveillance system requires no in-field maintenance, eliminating the need routine system maintenance.

# Ensure threats are predicted and averted with a solution that's proven to perform.

OptaSense DAS technology is protecting some of the world's most valuable assets.

In critical infrastructure and security sectors, it is providing real-time monitoring of long assets, such as pipelines and borders. In fact, we are currently monitoring more than 15,000 km of critical infrastructure by providing leak detection and third party intrusion detection.



Safeguard borders and military operations with a surveillance system that

- Detects, tracks, and classifies a wide range of threats
- Delivers real-time, actionable intelligence
- Endures challenging environments and remote locations

For more information about the OptaSense Border Security and Surveillance system, contact your local representative or visit us online at [www.optasense.com](http://www.optasense.com).



[contact@optasense.com](mailto:contact@optasense.com) | [optasense.com](http://optasense.com)

#### Americas

12709 Haynes Road  
Houston, TX 77066  
USA  
+1 713 493 0348

8, 2135 32 Ave NE  
Calgary  
Alberta T6E 6Z3  
Canada  
+1 403 265 6165

#### Europe

Cody Technology Park  
Ively Road, Farnborough  
Hampshire GU14 0LX  
United Kingdom  
+441252 392000

#### Middle East

Unit Nos. 1302, 1303, 1304  
13th Floor, Jumeirah Business Centre 3  
Jumeirah Lakes Towers  
PO Box 125674  
Dubai, United Arab Emirates  
+971 4 818 8200

**OptaSense**<sup>®</sup>  
a QinetiQ company

Disclaimer of Liability: This information is provided for general information purposes only and is believed to be accurate as of the date hereof; however, OptaSense and its affiliates do not make any warranties or representations of any kind regarding the information and disclaim all express and implied warranties or representations to the fullest extent permissible by law, including those of merchantability, fitness for a particular purpose or use, title, non-infringement, accuracy, correctness or completeness of the information provided herein. All information is furnished "as is" and without any license to distribute. The user agrees to assume all liabilities related to the use of or reliance on such information. OPTASENSE AND ITS AFFILIATES SHALL NOT BE LIABLE FOR ANY DIRECT, INDIRECT, SPECIAL, PUNITIVE, EXEMPLARY OR CONSEQUENTIAL DAMAGES FROM ANY CAUSE WHATSOEVER INCLUDING BUT NOT LIMITED TO ITS NEGLIGENCE.

© 2016 OptaSense. All rights reserved.